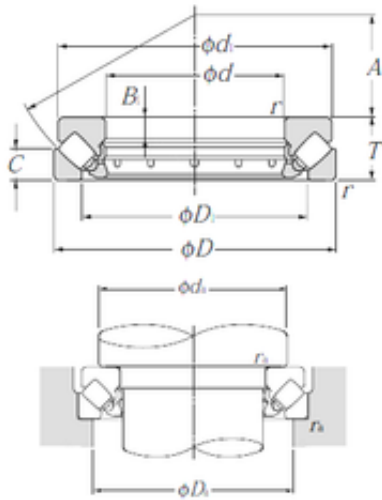




BEARING MFG. CORP.

29422 NTN Thrust Spherical Roller Bearing

Bearing No. 29422



29422 Bearing 2D drawings and 3D CAD models

Size	110x230x73 mm
Bore Diameter	110 mm
Outer Diameter	230 mm
Width	73 mm
d	110 mm
D	230 mm
T	73 mm
B1	26 mm
C	35 mm
d1	220 mm
r min.	3 mm
A	69 mm
D1	162 mm
da min.	165 mm
Da max.	190 mm
ra max.	2,5 mm
Weight	15 Kg
Basic dynamic load rating (C)	845 kN
Basic static load rating (C0)	2 620 kN
Category	Roller Bearings
Inventory	0.0
Manufacturer Name	NTN
Minimum Buy Quantity	N/A
Weight / Kilogram	14.9
Product Group	B04311
bore diameter:	110 mm



BEARING MFG. CORP.

bearing material:	Through Hardened Steel
outside diameter:	230 mm
operating temperature range:	-40 to 120 ° C
overall width:	73 mm
maximum rpm:	1400 rpm
cage type:	Machined - Two Piece
separable type:	Separable Bearing
enclosure:	Open
fillet radius:	3 mm
cage material:	Brass
series:	294
static load capacity:	2620000 N
manufacturer product page:	Click here
dynamic load capacity:	845000 N