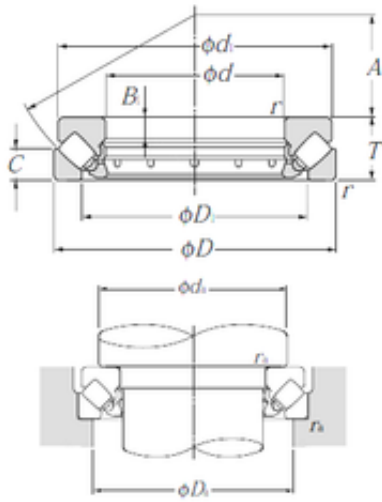




# BEARING MFG. CORP.



## 29248 NTN Thrust Spherical Roller Bearing

Bearing No. 29248

Size	240x340x60 mm
Bore Diameter	240 mm
Outer Diameter	340 mm
Width	60 mm
d	240 mm
D	340 mm
T	60 mm
B1	19 mm
C	30 mm
d1	330 mm
r min.	2,1 mm
A	130 mm
D1	283 mm
da min.	285 mm
Da max.	305 mm
ra max.	2 mm
Weight	17,5 Kg
Basic dynamic load rating (C)	825 kN
Basic static load rating (C0)	3 600 kN

29248 Bearing 2D drawings and 3D CAD models