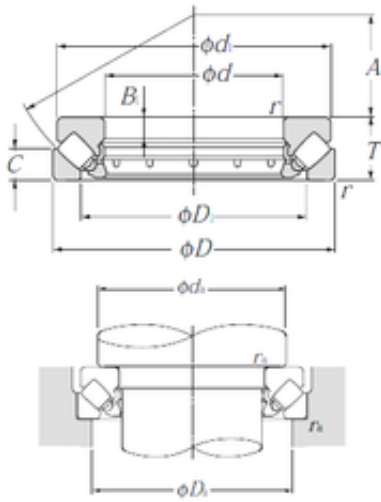




BEARING MFG. CORP.



29388 NTN Thrust Spherical Roller Bearing

Bearing No. 29388

Size	440x680x145 mm
Bore Diameter	440 mm
Outer Diameter	680 mm
Width	145 mm
d	440 mm
D	680 mm
T	145 mm
B1	49 mm
C	70 mm
d1	655 mm
r min.	6 mm
A	245 mm
D1	548 mm
da min.	550 mm
Da max.	600 mm
ra max.	5 mm
Weight	195 Kg
Basic dynamic load rating (C)	3 800 kN
Basic static load rating (C0)	16 400 kN

29388 Bearing 2D drawings and 3D CAD models