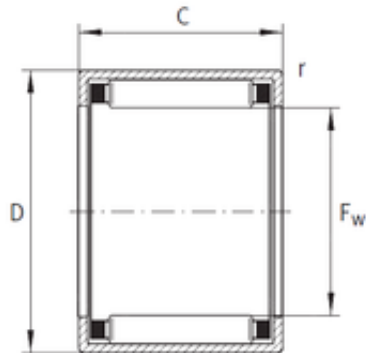




# BEARING MFG. CORP.

## MMXC1020 Crossed Roller Bearing 100x150x24mm



Bearing No. HK4020

HK4020 Bearing 2D drawings and 3D CAD models

Size	40x47x20 mm
Bore Diameter	40 mm
Outer Diameter	47 mm
Width	20 mm
Fw	40 mm
D	47 mm
C	20 mm
c1 min	17,3 mm
r min.	0,8 mm
Weight	0,054 Kg
Basic dynamic load rating (C)	25,5 kN
Basic static load rating (C0)	52 kN
Fatigue load limit (Pu)	6,8
Reference speed	4 900 r/min
Category	Needle Non Thrust Roller Bearings
Inventory	0.0
Manufacturer Name	SCHAEFFLER GROUP
Minimum Buy Quantity	N/A
Weight / Kilogram	0.05
EAN	4012801171014
Product Group	B04144
Rolling Element	Needle Roller Bearing
Component	Roller Assembly with Outer Ring - No Inner Ring



## BEARING MFG.CORP.

Enclosure	Open
Self Aligning	No
Retainer	Yes
Number of Rows of Rollers	Single Row
Separable	No
Closed End	No
Inch - Metric	Metric
Relubricatable	No
Thrust Bearing	No
Long Description	40MM Bore; 47MM Outside Diameter; 20MM Width; Needle Roller Bearing; Roller Assembly with Outer Ring - No Inner Ring; Open; Not Self Aligning; Retainer; Single Row of Rollers; Not Separable; Not Close
Other Features	2 Rib Outer Ring   Drawn Cup Bearing   Steel Cage
Category	Needle Non Thrust Roller Bearing
UNSPSC	31171512
Harmonized Tariff Code	8482.99.65.30
Noun	Roller Assembly with Outer Ring
Keyword String	Bearing Needle
Manufacturer URL	<a href="http://www.ina.com">http://www.ina.com</a>
Manufacturer Item Number	HK4020
Weight / LBS	0.119
Bore	1.575 Inch   40 Millimeter
Width	0.787 Inch   20 Millimeter
Outside Diameter	1.85 Inch   47 Millimeter