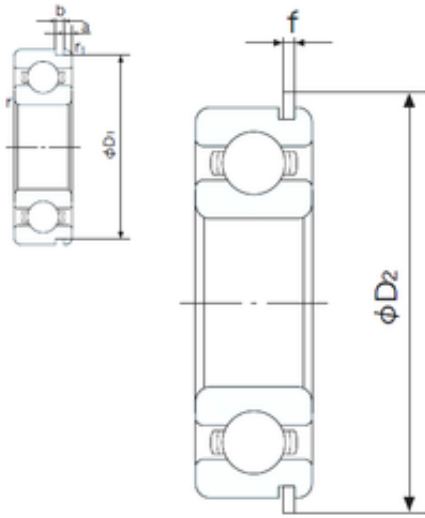




## BEARING MFG. CORP.



20 mm x 52 mm x 15 mm 22324-2CS5/VT143  
Vibrating Screen Bearing 120x260x86mm

Bearing No. 6304NR

6304NR Bearing 2D drawings and 3D CAD models

Size	20x52x15 mm
Bore Diameter	20 mm
Outer Diameter	52 mm
Width	15 mm
d	20 mm
D	52 mm
B	15 mm
C	15 mm
a	2.46 mm
b	1.35 mm
f	1.12 mm
r min.	1.1 mm
r1 min.	0.5 mm
D1	49.73 mm
D2	57.9 mm
Weight	0.144 Kg
Basic dynamic load rating (C)	15,9 kN
Basic static load rating (C0)	7,9 kN
(Grease) Lubrication Speed	13000 r/min
Category	Ball Bearings
Inventory	1.0
Manufacturer Name	NACHI
Minimum Buy Quantity	N/A
UNSPSC	31171504
Weight / Kilogram	0.145



## BEARING MFG. CORP.

EAN	4991893760651
Product Group	B00308
Bore Type	Cylindrical Bore
Configuration	Single Row
Enclosure	Snap Ring Groove with Snap Ring
Bore Size	20 mm
Outside Diameter	52 mm
Width	15 mm
Fillet Radius/Chamfer	1.1 mm
r1	0.5 mm
Snap Ring Width	1.1 mm
Snap Ring Outside Diameter	57.9 mm
D1 (max)	49.7 mm
a (max)	2.5 mm
b (min)	1.4 mm
Dynamic Load Rating	15,900 N
Static Load Rating	7,900 N
Limiting Speed - Grease	14,000 rpm
Limiting Speed - Oil	17,000 rpm
Factor fo	12.4
Radial Clearance	0.005 to 0.020 mm
da (min)	27 mm
Da (max)	45 mm
Dx (min)	58.5 mm
ra (max)	1 mm
Cy (max)	3.3 mm