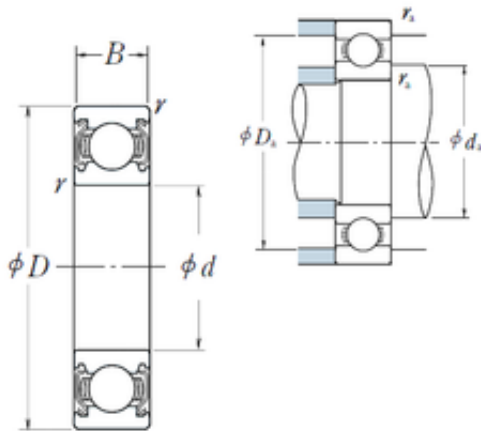




BEARING MFG. CORP.



60 mm x 85 mm x 13 mm 32222 Taper Roller Bearing 110*200*56mm

Bearing No. 6912ZZ

6912ZZ Bearing 2D drawings and 3D CAD models

Size	60x85x13 mm
Bore Diameter	60 mm
Outer Diameter	85 mm
Width	13 mm
d	60 mm
D	85 mm
B	13 mm
C	13 mm
r min.	1 mm
da min.	65 mm
da max	66 mm
Da max.	80 mm
ra max.	1 mm
Weight	0,192 Kg
Basic dynamic load rating (C)	19,4 kN
Basic static load rating (C0)	16,3 kN
(Grease) Lubrication Speed	7 500 r/min
Category	Single Row Ball Bearings
Inventory	0.0
Manufacturer Name	NSK
Minimum Buy Quantity	N/A
Weight / Kilogram	0.196
EAN	0029176080906
Product Group	B00308
Enclosure	2 Metal Shields



BEARING MFG. CORP.

Precision Class	ABEC 1 ISO P0
Maximum Capacity / Filling Slot	No
Rolling Element	Ball Bearing
Snap Ring	No
Internal Special Features	No
Cage Material	Steel
Internal Clearance	C0-Medium
Inch - Metric	Metric
Long Description	60MM Bore; 85MM Outside Diameter; 13MM Outer Race Diameter; 2 Metal Shields; Ball Bearing; ABEC 1 ISO P0; No Filling Slot; No Snap Ring; No Internal Special Features
Category	Single Row Ball Bearing
UNSPSC	31171504
Harmonized Tariff Code	8482.10.50.68
Noun	Bearing
Keyword String	Ball
Manufacturer URL	http://www.nskamericas.com
Weight / LBS	2.362
Bore	2.362 Inch 60 Millimeter
Outer Race Width	0.512 Inch 13 Millimeter
Outside Diameter	3.346 Inch 85 Millimeter
SRI	4.11
hidYobi	6912ZZ
LangID	1
D_	85
SREX	0.02
B_	13
da min	65
hidTable	ecat_NSRDGB



BEARING MFG.CORP.

SRE	4.11
mass	0.192
GRS rpm	7500
ra	1
SRIX	0.02
D_a	80
SRIN	-0.02
C0	16.3
fo	16.2
SREN	-0.02
DE_	80.438
Prod_Type3	DGBB_SR_ZZ
DA_	7.938
bomp	0
Z_	16
yobi	6912ZZ
C_conv	19400
ALPHA_	0
SDM_	72.5
r	1
KBRG	6141
SBRG	19
DI_	64.562