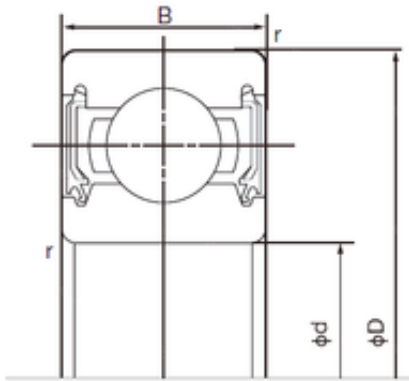




BEARING MFG. CORP.

55 mm x 120 mm x 29 mm 180TFD2801 Double Direction Thrust Taper Roller Bearing
180x280x90mm



Bearing No. 6311-2NSE

6311-2NSE Bearing 2D drawings and 3D CAD models

Size	55x120x29 mm
Bore Diameter	55 mm
Outer Diameter	120 mm
Width	29 mm
d	55 mm
D	120 mm
B	29 mm
C	29 mm
r min.	2 mm
da min.	65 mm
Da max.	110 mm
ra max.	2.0 mm
Weight	1.37 Kg
Basic dynamic load rating (C)	71,5 kN
Basic static load rating (C0)	44,5 kN
Category	Single Row Ball Bearings
Inventory	0.0
Manufacturer Name	NACHI
Minimum Buy Quantity	N/A
Weight / Kilogram	0
Product Group	B00308
Enclosure	2 Seals
Precision Class	ABEC 1 ISO P0
Maximum Capacity / Filling	No



BEARING MFG. CORP.

Slot	
Rolling Element	Ball Bearing
Snap Ring	No
Internal Special Features	No
Cage Material	Steel
Enclosure Type	Contact Seal
Internal Clearance	C0-Medium
Inch - Metric	Metric
Long Description	55MM Bore; 120MM Outside Diameter; 29MM Outer Race Width; 2 Seals; Ball Bearing; ABEC 1 ISO P0; No Filling Slot; No Snap Ring; No Internal Special Features; C0-Medium Internal Clearance; Steel Cage;
Other Features	Deep Groove
Category	Single Row Ball Bearing
UNSPSC	31171504
Harmonized Tariff Code	8482.10.50.68
Noun	Bearing
Keyword String	Ball
Manufacturer URL	http://www.nachi-america.com
Bore	2.165 Inch 55 Millimeter
Outside Diameter	4.724 Inch 120 Millimeter
Outer Race Width	1.142 Inch 29 Millimeter
Inner Race Width	0 Inch 0 Millimeter
Bore Type	Cylindrical Bore
Configuration	Single Row
Bore Size	55 mm
Width	29 mm
Fillet Radius/Chamfer	2 mm
Dynamic Load Rating	71,500 N



BEARING MFG.CORP.

Static Load Rating	44,500 N
Limiting Speed - Grease	4,000 rpm
Factor f_0	13.1
Radial Clearance	0.008 to 0.028 mm
d_a (min)	65 mm
D_a (max)	110 mm
r_a (max)	2 mm